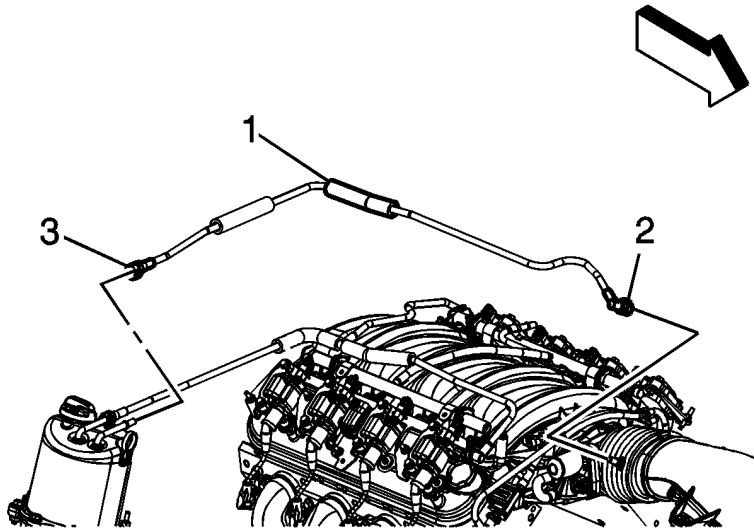


Document ID# 1706919  
2006 Chevrolet Corvette

# Crankcase Ventilation Hoses/Pipes Replacement (PCV Fresh Air Tube)

## Removal Procedure

1. Remove the RH engine sight shield cover. Refer to [Upper Intake Manifold Sight Shield Replacement](#).

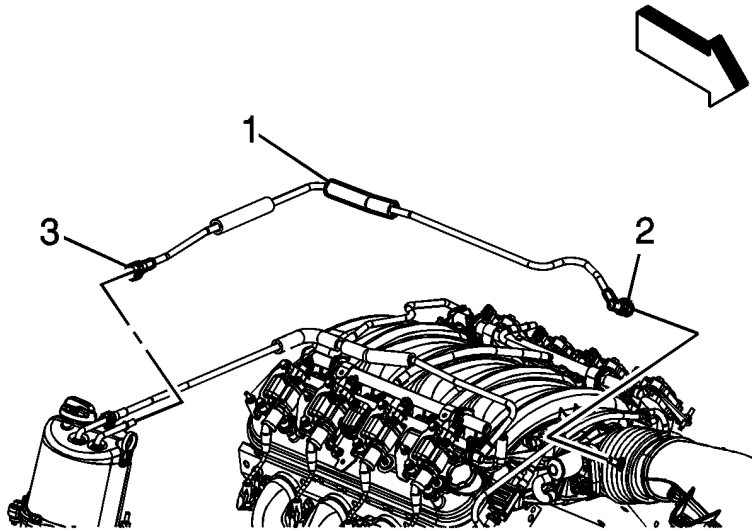


**Important:** Prior to removal, mark the PCV tube quick disconnect fittings at the oil supply tank or they can be incorrectly installed.

2. Disconnect the PCV tube quick connect fittings (3) from the front port on the oil tank.
3. Disconnect the PCV tube quick disconnect fitting (2) from the air intake duct.
4. Remove the PCV fresh air tube.

## Installation Procedure

1. Position the PCV fresh air tube.



2. Connect the PCV tube quick disconnect fitting (2) to the air intake duct.
3. Connect the PCV tube quick disconnect fitting (3) to the front port on the oil tank.
4. Install the RH engine sight shield. Refer to [Upper Intake Manifold Sight Shield Replacement](#) .

---

**Document ID# 1706919**  
**2006 Chevrolet Corvette**